

DR60SG-WH

6 inch LED Square Gimbal Ultra Slim Recessed downlight(Air tight)

DR

Only Available

20 : 2"
30 : 3.5"
40 : 4"
60 : 6"

WH : White
BK : Black
SN : Silver

SIZE	SHAPE	FEATURE	COLOR
40	RG : Round	FR : Fire Rated AG : Anti Glare	WH
20 30 40 60	RG : Round		WH BK SN
40 60	SG : Square		WH BK SN

Job Information	
Project Name	Type
Location	
Quantity	Date
Contact/Name	
Notes	

Body

- Durable airtight aluminum
- White polycarbonate diffuser lens for low glare

LED Characteristics

- 15-Watt LED Module
- Minimal heat emission
- Up to 1580 Lumens
- Superior LED Performance and lifespan
- Excellent Color rendering with Spotlight

Dimming

- 10%-100% dimming capability
- Compatible with industry TRIAC/ELV dimmers (contact factory for compatible dimmers list)

Environment

- Suitable for wet locations
- Suitable for insulated ceiling application
- Can be installed indoor and for outdoor applications

Mounting

- Included two springs loaded clips to attach to any ceiling material
- The slim profile allow to be mounted dock work

Description

- DR60SG, a 15watt 6-inch All CCT slim profile Square flat LED panel is a high-performance, easy to install downlight. It offers excellent light output, energy efficiency, and streamlined design. Suitable for wet location and use in soffits.

Beam Spread

- 38 degree beam spread

LED Driver

- Extruded junction box with integrated 210mA dimmable driver included
- Class II electronic LED driver with 100-125V AC input;
- includes an 12" cable from driver to fixture

Quick Connect Push-in Terminals

- Three "Quick Connect" Push-in terminals for fast and easy wiring

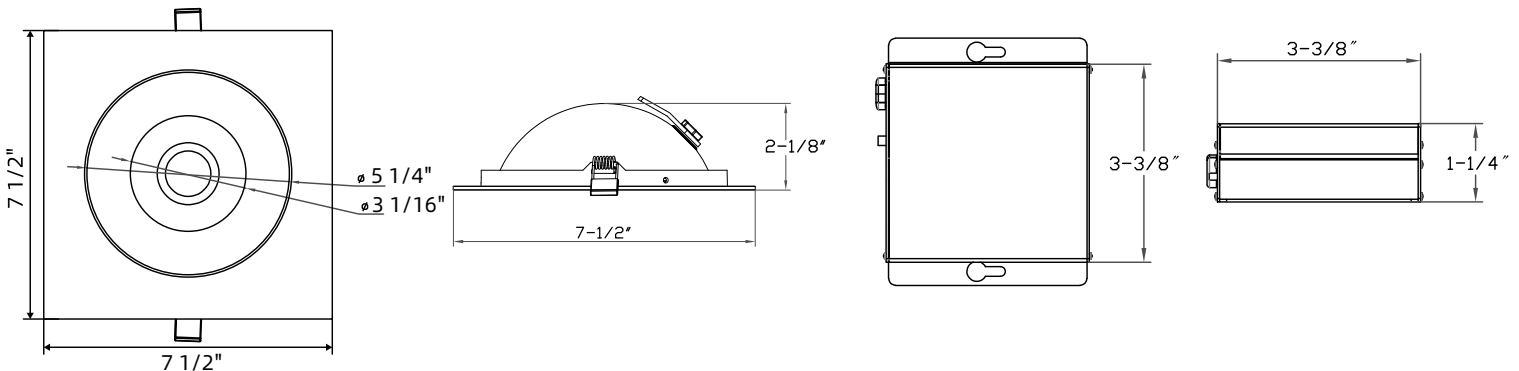
Operating Temperature

- -20°C - 40°C (-4°F - 104°F)



SPECIFICATION

Application	Ceiling Recessed Mount	Energy Star	YES
Approved Location	Wet	Input	100-125V AC, 60Hz, 0.09A
Beam Angle	38	LM 79	YES
CCT	2700K/3000K/3500K/4000K/5000K	LM 80	YES
Certification	cETLus	Lumens	Up to 1580
Class II	YES	Lumens per Watt	105.33
Color	White	Power Factor	>0.95
CRI	90+	Projected Life	5 Years
Dimming	YES	Wattage	15 Watt
Dimming Tech	TRIAC/ELV	Cut-Size	6 5/16"



2450 Morningside Ave #2,
Scarborough, ON M1X 0E2

E: sales@zotia.ca
W: www.dawnray.space

T: (416) 297-5666