

DR60RF-AG-WH

6 inch LED Anti-glare Slim Recessed downlight

DR	SIZE	SHAPE	FEATURE	COLOR
40	4"	RF :Round	FR Fire Rated	WH : White
60	6"		AG Anti Glare	
30	3.5"	RF :Round		WH : White
40	4"	SF :Square		BK : Black
60	6"			SN : Silver
80	8"	RF :Round		WH : White
				BK : Black

Job Information	
Project Name	Type
Location	
Quantity	Date
Contact/Name	
Notes	

Body

- Durable airtight aluminum
- White polycarbonate diffuser lens for low glare

LED Characteristics

- 15-Watt LED Module
- Minimal heat emission
- Up to 1150 Lumens
- Superior LED Performance and lifespan
- Excellent Color rendering with Spotlight

Dimming

- 10%-100% dimming capability
- Compatible with industry TRIAC/ELV dimmers (contact factory for compatible dimmers list)

Environment

- Suitable for wet locations
- Suitable for insulated ceiling application
- Can be installed indoor and for outdoor applications

Mounting

- Included two springs loaded clips to attach to any ceiling material
- The slim profile allow to be mounted under joists or dock work
- Easier installation with 6 5/16" round back

Description

- DR60RF-AG, a 15 watt 6-inch All CCT slim profile round flat LED panel is a high-performance, easy to install downlight. It offers excellent light output, energy efficiency, and streamlined design. Suitable for wet location and use in soffits.

Beam Spread

- 110 degree beam spread

LED Driver

- Extruded aluminum junction box with integrated 210mA dimmable driver included
- Class II electronic LED driver with 100-125V AC input;
- includes an 12" cable from driver to fixture

Quick Connect Push-in Terminals

- Three "Quick Connect" Push-in terminals for fast and easy wiring

Operating Temperature

- -20°C - 40°C (-4°F - 104°F)

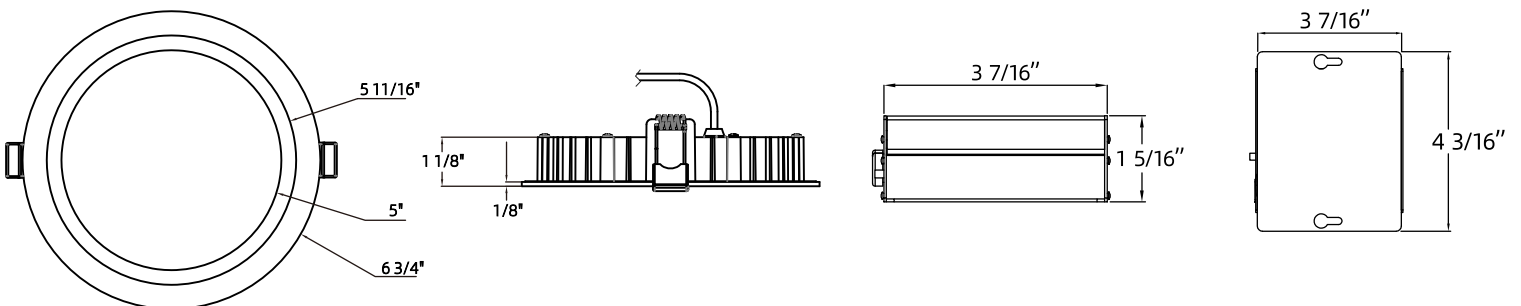


ANTI-GLARE



SPECIFICATION

Application	Ceiling Recessed Mount	Energy Star	YES
Approved Location	Wet	Input	100-125V AC, 60Hz, 0.09A
Beam Angle	110	LM 79	YES
CCT	2700K/3000K/3500K/4000K/5000K	LM 80	YES
Certification	cETLus	Lumens	Up to 1150
Class II	YES	Lumens per Watt	76.67
Color	White/Black/Brushed Nickel	Power Factor	>0.95
CRI	90+	Projected Life	5 Years
Dimming	YES	Wattage	15 Watt
Dimming Tech	TRIAC/ELV	Cut-Size	6 5/16"



Zotia International Trade Ltd.
201 Rowntree Dairy Road
Woodbridge, ON, L4L 8B8

T: 905-669-1966
F: 905-851-5262

E: sales@zotia.ca
W: www.dawnray.ca