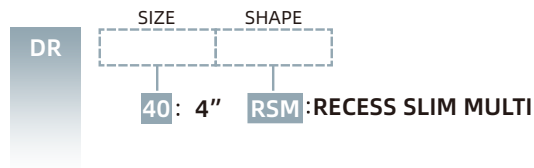


DR40RSM

4 inch 5CCT Slim all in one fixture



Job Information		
Project Name		Type
Location		
Quantity		Date
Contact/Name		
Notes		

Body

- Durable airtight material
- White polycarbonate diffuser lens for low glare

LED Characteristics

- 8-Watt LED Module
- Minimal heat emission
- Up to 500 Lumens
- Superior LED Performance and lifespan
- Excellent Color rendering with Spotlight

Dimming

- 10%-100% dimming capability
- Compatible with industry TRIAC/ELV dimmers (contact factory for compatible dimmers list)

Environment

- Suitable for wet locations
- Suitable for insulated ceiling application
- Can be installed indoor and for outdoor applications

Mounting

- Included E26 base adaptor and butterfly mounting clips
- The slim profile allow to be mounted dock work

Description

- DR40RSM, a 8watt 4 inch 5CCT slim all in one fixed LED panel is a high-performance, easy to install downlight. It offers excellent light output, energy efficiency, and streamlined design. Suitable for wet location.

Beam Spread

- 110 degree beam spread

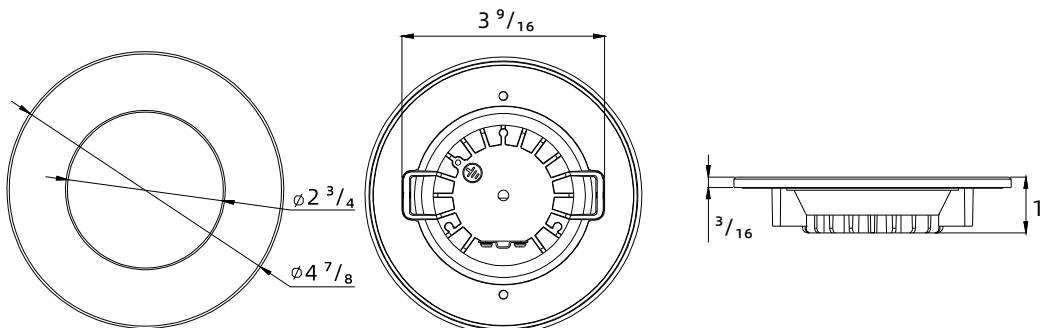
Operating Temperature

- -20°C - 40°C (-4°F - 104°F)



SPECIFICATION

Application	Ceiling Recessed Mount	Energy Star	YES
Approved Location	Wet	Input	100-125V AC, 60Hz, 0.09A
Beam Angle	110	LM 79	YES
CCT	2700K/3000K/3500K/4000K/5000K	LM 80	YES
Certification	cETLus	Lumens	Up to 500
Class II	YES	Lumens per Watt	62.5
Color	White(Black/Brushed Nickel)	Power Factor	>0.95
CRI	90+	Projected Life	5 Years
Dimming	YES	Wattage	8 Watt
Dimming Tech	TRIAC/ELV		



Zotia International Trade Ltd.
201 Rowntree Dairy Road
Woodbridge, ON, L4L 8B8

T: 905-669-1966
F: 905-851-5262

E: sales@zotia.ca
W: www.dawnray.ca

