

DR60SF-WH/BK/SN

6 inch LED Square Ultra Slim Recessed downlight(Air tight)

| DR | SIZE | SHAPE | COLOR |
|----|----------|------------|-------------|
| | 30: 3.5" | RF: Round | WH : White |
| | 40: 4" | SF: Square | BK : Black |
| | 60: 6" | | SN : Silver |
| | 80: 8" | RF: Round | WH : White |
| | | | BK : Black |

| Job Information | | |
|-----------------|--|------|
| Project Name | | Type |
| Location | | |
| Quantity | | Date |
| Contact/Name | | |
| Notes | | |

Body

- Durable airtight aluminum
- White polycarbonate diffuser lens for low glare

LED Characteristics

- 15-Watt LED Module
- Minimal heat emission
- Up to 1250 Lumens
- Superior LED Performance and lifespan
- Excellent Color rendering with Spotlight

Dimming

- 10%-100% dimming capability
- Compatible with industry TRIAC/ELV dimmers (contact factory for compatible dimmers list)

Environment

- Suitable for wet locations
- Suitable for insulated ceiling application
- Can be installed indoor and for outdoor applications

Mounting

- Included two springs loaded clips to attach to any ceiling material
- The slim profile allow to be mounted under joists or dock work
- Easier installation with 6 5/16" round back

Description

- DR60SF, a 15watt 6-inch All CCT slim profile square flat LED panel is a high-performance, easy to install downlight. It offers excellent light output, energy efficiency, and streamlined design. Suitable for wet location and use in soffits.

Beam Spread

- 110 degree beam spread

LED Driver

- Extruded aluminum junction box with integrated 210mA dimmable driver included
- Class II electronic LED driver with 100-125V AC input; includes a 12" cable from driver to fixture

Quick Connect Push-in Terminals

- Three "Quick Connect" Push-in terminals for fast and easy wiring

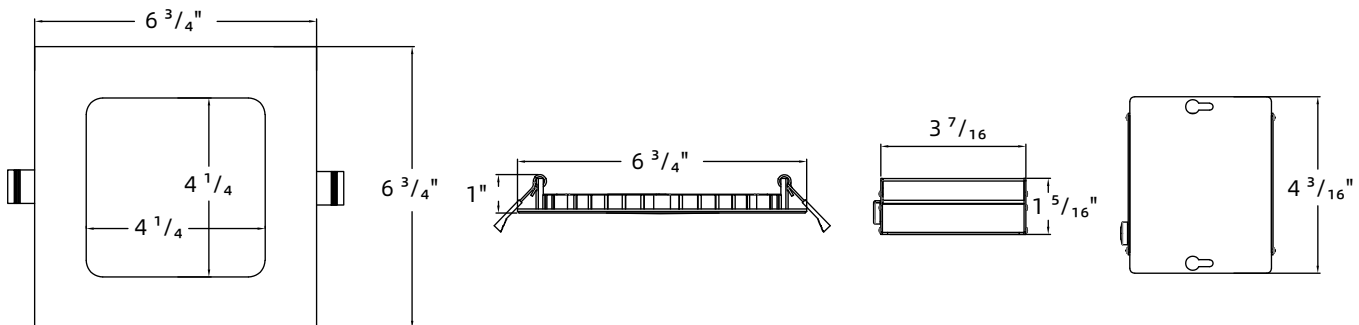
Operating Temperature

- -20°C - 40°C (-4°F - 104°F)



SPECIFICATION

| | | | |
|-------------------|-------------------------------|-----------------|--------------------------|
| Application | Ceiling Recessed Mount | Energy Star | YES |
| Approved Location | Wet | Input | 100-125V AC, 60Hz, 0.09A |
| Beam Angle | 110 | LM 79 | YES |
| CCT | 2700K/3000K/3500K/4000K/5000K | LM 80 | YES |
| Certification | cETLus | Lumens | Up to 1250 |
| Class II | YES | Lumens per Watt | 72.5 |
| Color | White/Black/Brushed Nickel | Power Factor | >0.95 |
| CRI | 95+ | Projected Life | 5 Years |
| Dimming | YES | Wattage | 15 Watt |
| Dimming Tech | TRIAC/ELV | Cut-Size | 6 5/16" |



Zotia International Trade Ltd.
201 Rowntree Dairy Road
Woodbridge, ON, L4L 8B8

T: 905-669-1966
F: 905-851-5262

E: sales@zotia.ca
W: www.dawnray.ca

