

CP04GR-WH/BK/SN

4" 3CCT LED Round Gimbal

Job Information		
Project Name		Type
Location		
Quantity		Date
Contact/Name		
Notes		

Body

- Durable Iron body
- White polycarbonate diffuser lens for low glare

LED Characteristics

- 10-Watt LED Module
- Minimal heat emission
- Up to 800 Lumens
- Superior LED Performance and lifespan
- Excellent Color rendering with Spotlight

Dimming

- 10%-100% dimming capability
- Compatible with TRIAC/ELV dimmers

Environment

- Suitable for damp locations
- Suitable for insulated ceiling application
- Can be installed indoor and for outdoor applications

Mounting

- Included two springs loaded clips to attach to any ceiling material
- The slim profile allows to be mounted under joists or dock work

Description

- CP04GR, a 10watt 4-inch 3CCT LED round gimbal is a high-performance, easy to install downlight. It offers excellent light output, energy efficiency, and streamline design. Suitable for damp location and use under soffits.

Beam Spread

- 38 degree beam spread

LED Driver

- Extruded iron junction box with integrated 210mA dimmable driver included
- LVLE output LED driver with 100-125V AC input; included 12inch cable from the driver to fixture.

Quick Connect Push-in Terminals

- Three "Quick Connect" Push-in terminals for fast and easy wiring

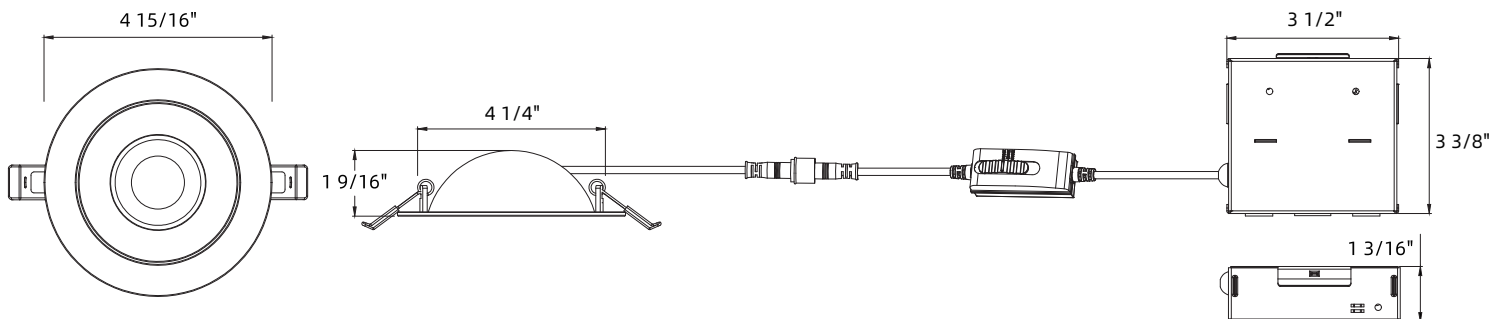
Operating Temperature

- -20 C - 40 C (-4°F - 104°F)



SPECIFICATION

Application	Ceiling Recessed Mount	Energy Star	YES
Approved Location	DAMP	Input	100-125V AC, 60Hz, 0.09A
Beam Angle	38	LM 79	YES
CCT	3000K/4000K/5000K	LM 80	YES
Certification	cETLus	Lumens	Up to 800
Class II	YES	Lumens per Watt	69.17
Color	White/Black/Brushed Nickel	Power Factor	>0.90
CRI	80+	Projected Life	5 Years
Dimming	YES	Wattage	10 Watt
Dimming Tech	TRIAC/ELV	Cut-Size	4 1/4"



Zotia International Trade Ltd.
201 Rowntree Dairy Road
Woodbridge, ON, L4L 8B8

T: 905-669-1966
F: 905-851-5262

E: sales@zotia.ca
W: www.dawnray.ca